



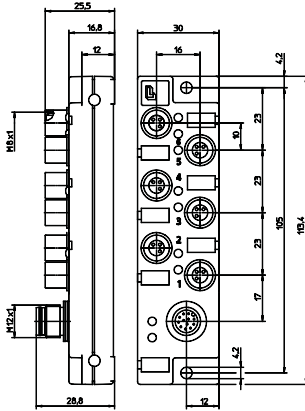


Be Certain with Belden

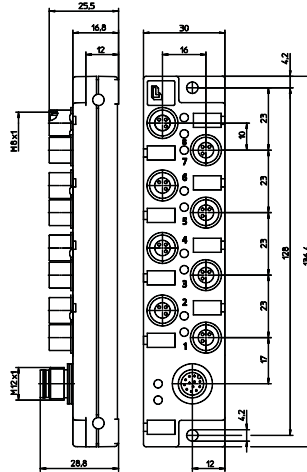
### M8 Actuator/Sensor Distribution Boxes

ASBSM 4/LED 3 | ASBSM 6/LED 3 | ASBSM 8/LED 3 | ASBSM 10/LED 3

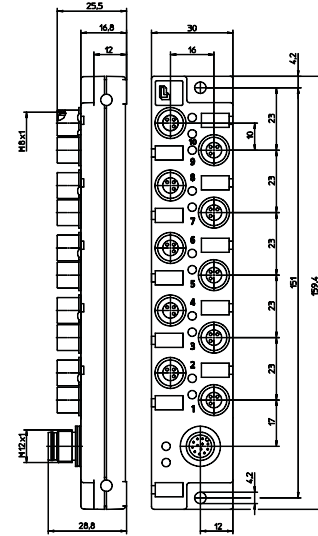
#### 6-Ports



#### 8-Ports



#### 10-Ports



#### Technical Data

##### Environmental

Degree of protection  
Operating temperature range

IP 67 / NEMA 6P  
-25°C (-13°F) / +70°C (+158°F)

##### Mechanical

Housing  
Insert  
Contact

PBT  
PA, self-extinguishing  
**M8:** CuSn, pre-nickelated and 0.8 microns gold-plated  
**M12:** Brass, pre-nickelated and 0.8 microns gold-plated  
Brass, nickel-plated  
FKM

Receptacle shell  
O-ring

##### Electrical

Contact resistance  
Voltage rating  
Current rating

≤5mΩ  
10-30 V DC  
1.5 A per port  
1.5 A max. total

##### Accessories (included)

ZVKM  
ZBR 5/10

2 M8 dust covers for unused sockets  
Attachable labels:  
4-Ports: 5 pieces  
6- and 8-Ports: 10 pieces  
10-Ports: 15 pieces

| Part Number    | Ports | Mating Cordsets         | Mating Control Cable      | Characteristics |
|----------------|-------|-------------------------|---------------------------|-----------------|
| ASBSM 4/LED 3  | 4     | RSMV 3... or RSMWV 3... | RKT 12-348 or RKWT 12-348 |                 |
| ASBSM 6/LED 3  | 6     | RSMV 3... or RSMWV 3... | RKT 12-348 or RKWT 12-348 |                 |
| ASBSM 8/LED 3  | 8     | RSMV 3... or RSMWV 3... | RKT 12-348 or RKWT 12-348 |                 |
| ASBSM 10/LED 3 | 10    | RSMV 3... or RSMWV 3... | RKT 12-348 or RKWT 12-348 |                 |

## M8 Actuator/Sensor Distribution Boxes

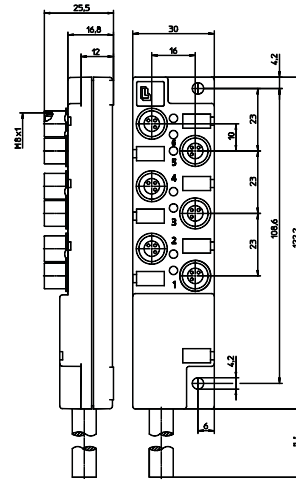
ASBM .../LED



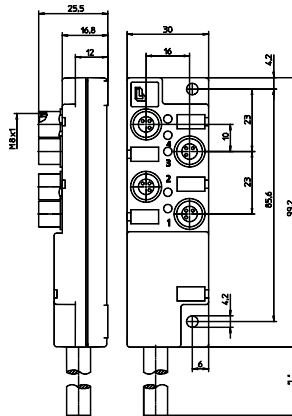
### 4-, 6-, 8-, 10- and 12-Ports (LED)

Pluggable miniature actuator/sensor distribution box with LED operation and function indicators, top-entry, 4-12-ports, M8 socket, 3-poles, 1 signal per socket, with integrated control cable.

### 6-Ports



### 4-Ports



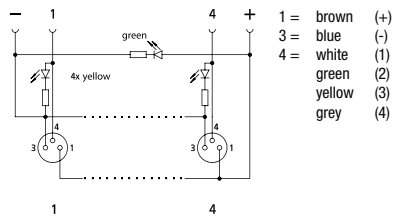
## Pin Assignments

M8

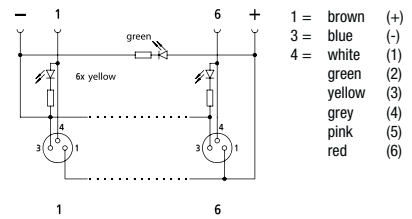
## Wiring Diagrams



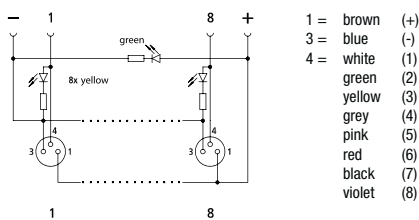
### 4-Ports



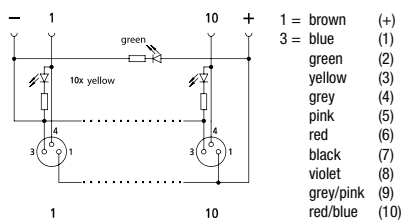
### 6-Ports



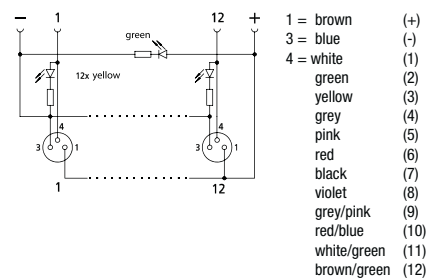
### 8-Ports



### 10-Ports



### 12-Ports



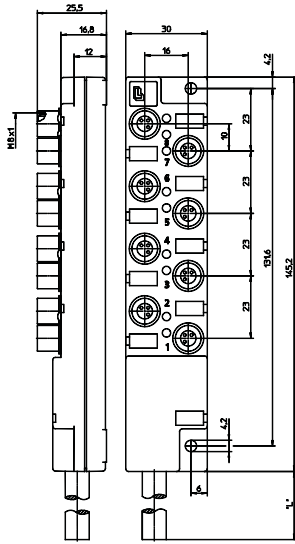


Be Certain with Belden

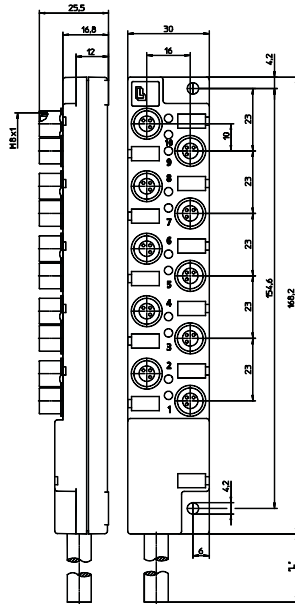
### M8 Actuator/Sensor Distribution Boxes

ASBM 4/LED 3-343 | ASBM 6/LED 3-344 | ASBM 8/LED 3-345 | ASBM 10/LED 3-346 | ASBM 12/LED 3-347

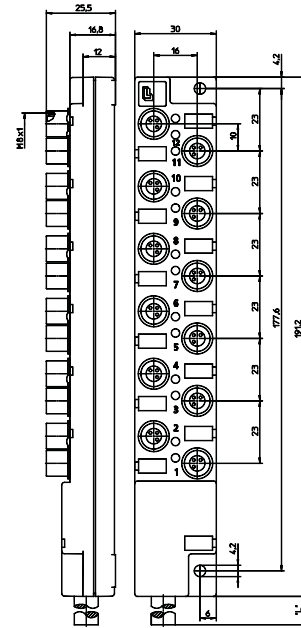
#### 8-Ports



#### 10-Ports



#### 12-Ports



#### Technical Data

##### Environmental

Degree of protection  
Operating temperature range

IP 67 / NEMA 6P  
-25°C (-13°F) / +70°C (+158°F)

##### Mechanical

Housing  
Insert  
Contact

PBT  
PA, self-extinguishing  
CuSn, pre-nickelated and 0.8 microns gold-plated  
Brass, nickel-plated  
FKM

Receptacle shell  
O-ring

##### Electrical

Contact resistance  
Voltage rating  
Current rating

≤5mΩ  
10-30 V DC  
1.5 A per port  
1.5 A max. total

##### Accessories (included)

ZVKM  
ZBR 5/10

2 M8 dust covers for unused sockets  
Attachable labels:  
4-Ports: 5 pieces  
6- and 8-Ports: 10 pieces  
10- and 12-Ports: 15 pieces

##### Cable Specifications

| Cable No. | Outer Jacket      | Conductor Size            | Jacket Color | OD             |
|-----------|-------------------|---------------------------|--------------|----------------|
| 343       | PUR, halogen-free | 6 x 0.25 mm <sup>2</sup>  | Black        | .201" (5.1 mm) |
| 344       | PUR, halogen-free | 8 x 0.25 mm <sup>2</sup>  | Black        | .236" (6.0 mm) |
| 345       | PUR, halogen-free | 10 x 0.25 mm <sup>2</sup> | Black        | .248" (6.3 mm) |
| 346       | PUR, halogen-free | 12 x 0.25 mm <sup>2</sup> | Black        | .252" (6.4 mm) |
| 347       | PUR, halogen-free | 14 x 0.25 mm <sup>2</sup> | Black        | .284" (7.2 mm) |

| Part Number            | Ports | Standard Cable Lengths | Mating Cordsets         | Characteristics |
|------------------------|-------|------------------------|-------------------------|-----------------|
| ASBM 4/LED 3-343/...M  | 4     | 5M, 10M, 15M           | RSMV 3... or RSMWV 3... |                 |
| ASBM 6/LED 3-344/...M  | 6     | 5M, 10M, 15M           | RSMV 3... or RSMWV 3... |                 |
| ASBM 8/LED 3-345/...M  | 8     | 5M, 10M, 15M           | RSMV 3... or RSMWV 3... |                 |
| ASBM 10/LED 3-346/...M | 10    | 5M, 10M, 15M           | RSMV 3... or RSMWV 3... |                 |
| ASBM 12/LED 3-347/...M | 12    | 5M, 10M, 15M           | RSMV 3... or RSMWV 3... |                 |

**M8 Actuator/Sensor Distribution Boxes**

SBS 4/LED 3

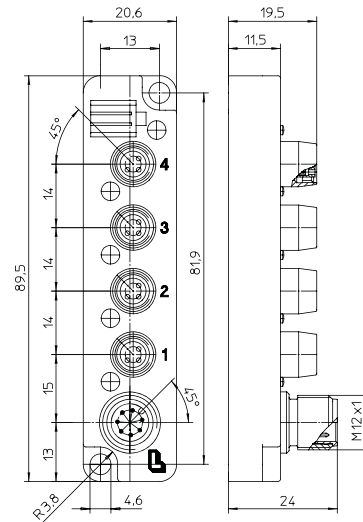


**4-Ports (LED)**

Pluggable miniature actuator/sensor distribution box with LED operation and function indicators, top-entry, 4-ports, M8 socket, 3-poles, 1 signal per socket, M12 connection for the control cable.

– control cable type: RKT 8-6-337 or RKWT 8-6-337 –

**4-Ports**

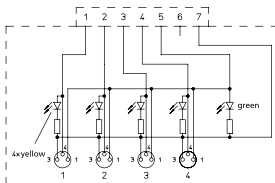
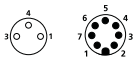


**Pin Assignments**

M8 / M12

**Wiring Diagrams**

**4-Ports**



- 1 = 5 (+)
- 3 = 7 (-)
- 4 = 1 (1)
- 2 = 2 (2)
- 3 = 3 (3)
- 4 = 4 (4)



Be Certain with Belden

**M8 Actuator/Sensor Distribution Boxes**

SBS 4/LED 3

**Technical Data**

**Environmental**

Degree of protection IP 67 / NEMA 6P  
 Operating temperature range -15°C (+5°F) / +90°C (+194°F)

**Mechanical**



Housing TPU, self-extinguishing  
 Insert **M8:** TPU, self-extinguishing  
**M12:** PA  
 Contact CuSn, pre-nickel and 0.8 microns gold-plated  
 Receptacle shell Brass, nickel-plated  
 O-ring FKM

**Electrical**

Contact resistance  $\leq 5m\Omega$   
 Voltage rating 10-30 V DC  
 Current rating 2 A per port / 2 A max. total

**Accessories (included)**

ZVKM 2 dust covers for unused sockets  
 1 attachable label

| Part Number | Ports | Mating Cordsets         | Mating Control Cable        | Characteristics   |
|-------------|-------|-------------------------|-----------------------------|---|
| SBS 4/LED 3 | 4     | RSMV 3... or RSMWV 3... | RKT 8-6-337 or RKWT 8-6-337 |   |





# Be Certain with Belden

## M8 Actuator/Sensor Distribution Boxes

SB 8/LED 3-333

### Technical Data

#### Environmental

Degree of protection IP 67 / NEMA 6P  
 Operating temperature range -15°C (+5°F) / +80°C (+176°F)

#### Mechanical

Housing PBT  
 Insert TPU, self-extinguishing  
 Contact CuSn, pre-nickelated and 0.8 microns gold-plated  
 Receptacle shell Brass, nickel-plated  
 O-ring FKM

#### Electrical

Contact resistance  $\leq 5m\Omega$   
 Voltage rating 10-30 V DC  
 Current rating 2 A per port / 2 A max. total

#### Accessories (included)

ZVKM 2 M8 dust covers for unused sockets  
 ZBR 5/10 Attachable labels:  
 10 pieces

#### Cable Specifications

| Cable No. | Outer Jacket      | Conductor Size                                       | Jacket Color | OD             |
|-----------|-------------------|--|--------------|----------------|
| 333       | PUR, halogen-free | 2 x 0.50 mm <sup>2</sup><br>8 x 0.34 mm <sup>2</sup> | Black        | .347" (8.8 mm) |

| Part Number         | Ports | Standard Cable Lengths | Mating Cordsets         | Characteristics |
|---------------------|-------|------------------------|-------------------------|-----------------|
| SB 8/LED 3-333/...M | 8     | 5M, and 10M            | RSMV 3... or RSMWV 3... |                 |



**M12 Actuator/Sensor Distribution Boxes (Stainless Steel)**

ASNBV 8/LED

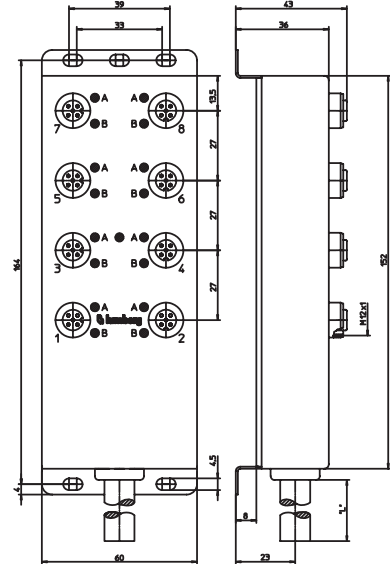


**8-Ports (Stainless Steel Housing)**

Actuator/sensor distribution box with LED operation and function indicators, housing and receptacle shells in stainless steel, top-entry, 8-ports, M12 sockets, 5-poles, 2 signals per socket, with integrated control cable.

– especially designed for use in food processing equipment applications –

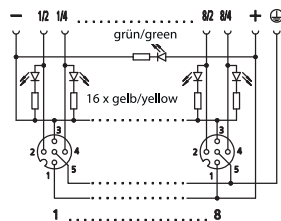
**8-Ports**



**Pin Assignments**

**M12 Wiring Diagrams**

**8-Ports**



- |                   |                       |
|-------------------|-----------------------|
| 1 = Brown (+)     | 4 = White (1)         |
| 2 = Gray/Pink (1) | Green (2)             |
| Red/Blue (2)      | Yellow (3)            |
| White/Green (3)   | Grey (4)              |
| Brown/Green (4)   | Pink (5)              |
| White/Yellow (5)  | Red (6)               |
| Yellow/Brown (6)  | Black (7)             |
| White/Grey (7)    | Violet (8)            |
| Grey/Brown (8)    | 5 = Green/Yellow (PE) |
| 3 = Blue (-)      |                       |



Be Certain with Belden

**M12 Actuator/Sensor Distribution Boxes (Stainless Steel)**  
 ASNBV 8/LED

**Technical Data**

**Environmental**

Degree of protection IP 67 / IP 69 K  
 Operating temperature range -25°C (-13°F) / +70°C (+158°F)

**Mechanical**

Housing Stainless steel  
 Housing back cover PVC  
 Insert PVC  
 Contact CuSn, gold over nickel plated  
 Receptacle shell Stainless steel  
 O-ring EPDM

**Electrical**






Contact resistance ≤ 5 mΩ  
 Voltage rating 10-30 V DC  
 Current rating 4A per port, 12A max. total  
 Insulation resistance > 10<sup>9</sup> Ω

**Accessories (included)**

PZVK 4 PVC dust covers for unused sockets

**Cable Specifications**

| Cable No. | Outer Jacket | Conductor Size  | Jacket Color | OD              |
|-----------|--------------|---|--------------|-----------------|
| 278       | PVC          | 16 x 0.50 mm <sup>2</sup><br>3 x 1.00 mm <sup>2</sup> | Black        | .457" (11.6 mm) |

| Part Number            | Ports | Standard Cable Lengths | Mating Cordsets                          | Characteristics   |
|------------------------|-------|------------------------|--|---|
| ASNBV 8/LED 5-278/...M | 8     | 5M, 10M, 15M           | PRST-PRKT, PRST-PRKWT,<br>PRST-PRKWT/LED |      |

**M12 Actuator/Sensor Distribution Boxes (Stainless Steel)**

ASNBL 8/LED

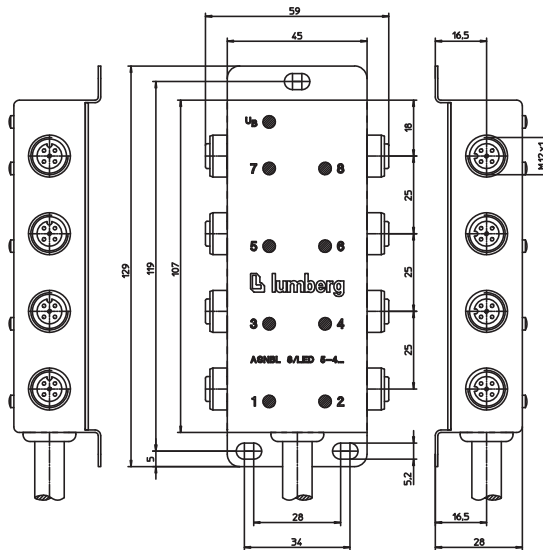


**8-Ports (Stainless Steel Housing)**

Actuator/sensor distribution box with LED operation and function indicators, housing and receptacle shells in stainless steel, side-entry, 8-ports, M12 sockets, 5-poles, 1 signal per socket, with integrated control cable.

– especially designed for use in food processing equipment applications –

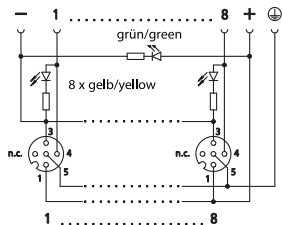
**8-Ports**



**Pin Assignments**

**M12 Wiring Diagrams**

**8-Ports**



- |           |     |                  |      |
|-----------|-----|------------------|------|
| 1 = Brown | (+) | Grey             | (4)  |
| 2 = n.c.  |     | Pink             | (5)  |
| 3 = Blue  | (-) | Red              | (6)  |
| 4 = White | (1) | Black            | (7)  |
| Green     | (2) | Violet           | (8)  |
| Yellow    | (3) | 5 = Green/Yellow | (PE) |



# Be Certain with Belden

## M12 Actuator/Sensor Distribution Boxes (Stainless Steel) ASNBL 8/LED

### Technical Data

#### Environmental

Degree of protection IP 67 / IP 69 K  
 Operating temperature range -25°C (-13°F) / +70°C (+158°F)

#### Mechanical

Housing Stainless steel  
 Housing back cover PVC  
 Insert PVC  
 Contact CuSn, gold over nickel plated  
 Receptacle shell Stainless steel  
 O-ring EPDM

#### Electrical


Contact resistance  $\leq 5 \text{ m}\Omega$   
 Voltage rating 10-30 V DC  
 Current rating 4A per port, 12A max. total  
 Insulation resistance  $> 10^9 \Omega$

#### Accessories (included)

PZVK 4 PVC dust covers for unused sockets

#### Cable Specifications

| Cable No. | Outer Jacket | Conductor Size                                       | Jacket Color | OD             |
|-----------|--------------|--|--------------|----------------|
| 320       | PVC          | 8 x 0.34 mm <sup>2</sup><br>3 x 0.75 mm <sup>2</sup> | Black        | .374" (9.5 mm) |

| Part Number              | Ports | Standard Cable Lengths | Mating Cordsets                       | Characteristics   |
|--------------------------|-------|------------------------|---------------------------------------|---|
| ASNBL 8/LED 5-4-320/...M | 8     | 5M, 10M, 15M           | PRST-PRKT, PRST-PRKWT, PRST-PRKWT/LED |      |

## M12 Actuator/Sensor Distribution Boxes

ASB 4 | ASB 6 | ASB 8

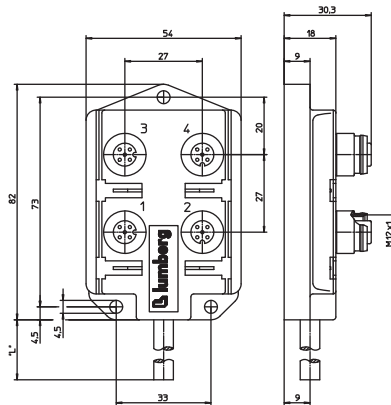


### 4-, 6-, and 8-Ports

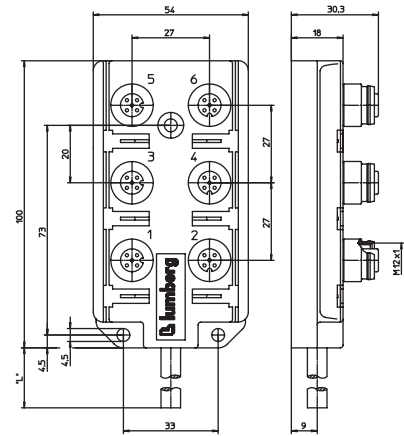
Actuator/sensor distribution box, top-entry, 4-, 6-, and 8-ports, M12 sockets, 4-poles, 1 signal per socket, with integrated control cable.

– control cable is suitable for c-track applications –

#### 4-Ports



#### 6-Ports

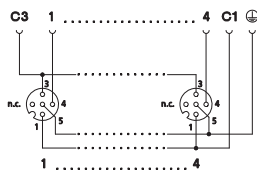


## Pin Assignments

### M12 Wiring Diagrams

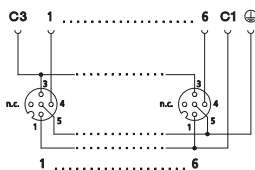


#### 4-Ports



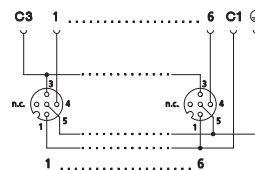
- 1 = brown (C1)
- 2 = n.c.
- 3 = blue (C3)
- 4 = white (1)  
green (2)  
yellow (3)  
grey (4)  
5 = green/yellow (PE)

#### 6-Ports



- 1 = brown (C1)
- 2 = n.c.
- 3 = blue (C3)
- 4 = white (1)  
green (2)  
yellow (3)  
grey (4)  
pink (5)  
red (6)  
5 = green/yellow (PE)

#### 8-Ports



- 1 = brown (C1)
- 2 = n.c.
- 3 = blue (C3)
- 4 = white (1)  
green (2)  
yellow (3)  
grey (4)  
pink (5)  
red (6)  
black (7)  
violet (8)  
5 = green/yellow (PE)

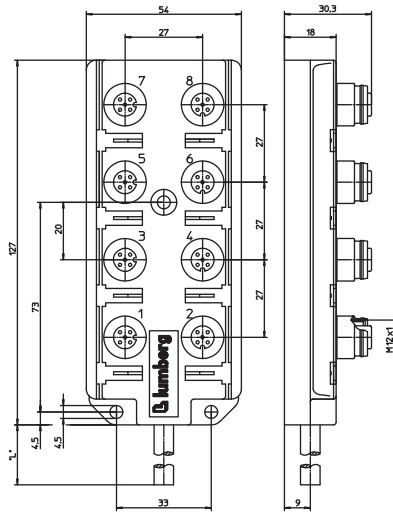


Be Certain with Belden

### M12 Actuator/Sensor Distribution Boxes

ASB 4 5-4-328 | ASB 6 5-4-330 | ASB 8 5-4-331

#### 8-Ports



#### Technical Data

##### Environmental

Degree of protection IP 67 / NEMA 6P  
 Operating temperature range -15°C (+5°F) / +80°C (+176°F)

##### Mechanical

Housing TPU, self-extinguishing  
 Insert PA GF, self-extinguishing  
 Contact CuZn, pre-nickelated and 0.8 microns gold-plated  
 Receptacle shell CuZn, nickel-plated  
 O-ring FKM

##### Electrical

Contact resistance ≤5mΩ  
 Voltage rating 250 V  
 Current rating 4 A per port / 12 A max. total  
 Insulation resistance > 10<sup>9</sup> Ω

##### Accessories (included)

ZVK 2 dust covers for unused sockets  
 ZBS 10 attachable labels

#### Cable Specifications

| Cable No. | Outer Jacket      | Conductor Size                                       | Color | Outside Diameter |
|-----------|-------------------|--|-------|------------------|
| 328       | PUR, halogen-free | 3 x 0.75 mm <sup>2</sup><br>4 x 0.34 mm <sup>2</sup> | Black | .268" (6.8 mm)   |
| 330       | PUR, halogen-free | 3 x 0.75 mm <sup>2</sup><br>6 x 0.34 mm <sup>2</sup> | Black | .299" (7.6 mm)   |
| 331       | PUR, halogen-free | 3 x 0.75 mm <sup>2</sup><br>8 x 0.34 mm <sup>2</sup> | Black | .315" (8.0 mm)   |

| Part Number        | Ports | Standard Cable Length | Characteristics |
|--------------------|-------|-----------------------|-----------------|
| ASB 4 5-4-328/...M | 4     | 5M and 10M            |                 |
| ASB 6 5-4-330/...M | 6     | 5M and 10M            |                 |
| ASB 8 5-4-331/...M | 8     | 5M and 10M            |                 |

**M12 Actuator/Sensor Distribution Boxes**

ASB 4/LED | ASB 6/LED | ASB 8/LED

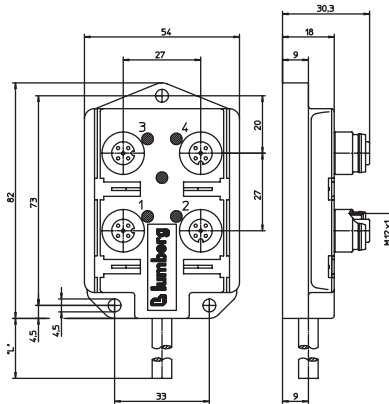


**4-, 6-, and 8-Ports (LED)**

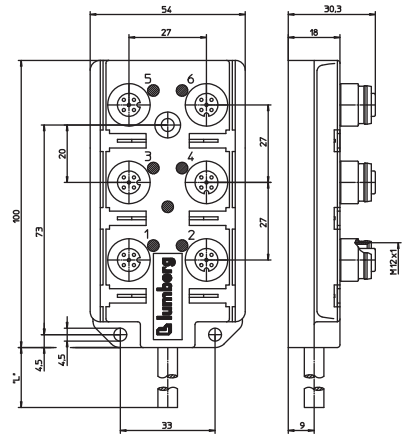
Actuator/sensor distribution box with LED operation and function indicators, top-entry, 4-, 6-, and 8-ports, M12 sockets, 4-poles, 1 signal per socket, with integrated control cable.

– control cable is suitable for c-track applications –

**4-Ports**



**6-Ports**

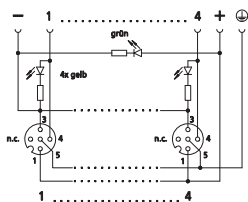


**Pin Assignments**

**M12 Wiring Diagrams**

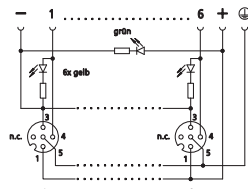


**4-Ports**



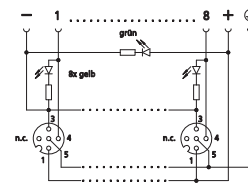
- 1 = brown (C1)
- 2 = n.c.
- 3 = blue (C3)
- 4 = white (1)
- green (2)
- yellow (3)
- grey (4)
- 5 = green/yellow (PE)

**6-Ports**



- 1 = brown (C1)
- 2 = n.c.
- 3 = blue (C3)
- 4 = white (1)
- green (2)
- yellow (3)
- grey (4)
- pink (5)
- red (6)
- 5 = green/yellow (PE)

**8-Ports**



- 1 = brown (C1)
- 2 = n.c.
- 3 = blue (C3)
- 4 = white (1)
- green (2)
- yellow (3)
- grey (4)
- pink (5)
- red (6)
- black (7)
- violet (8)
- 5 = green/yellow (PE)

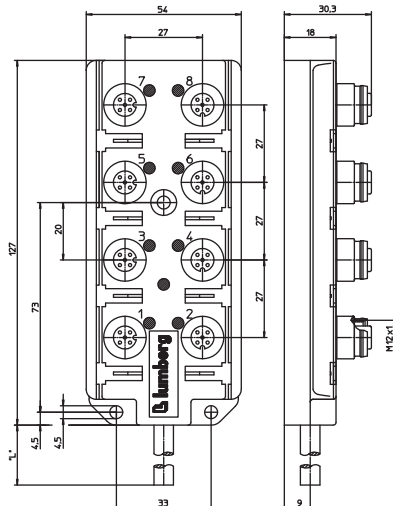


Be Certain with Belden

**M12 Actuator/Sensor Distribution Boxes**

ASB 4/LED 5-4-328 | ASB 6/LED 5-4-330 | ASB/LED 8 5-4-331

**8-Ports**



**Technical Data**

**Environmental**

Degree of protection IP 67 / NEMA 6P  
 Operating temperature range -15°C (+5°F) / +80°C (+176°F)

**Mechanical**

Housing TPU, self-extinguishing  
 Insert PA GF, self-extinguishing  
 Contact CuZn, pre-nickel and 0.8 microns gold-plated  
 Receptacle shell CuZn, nickel-plated  
 O-ring FKM

**Electrical**

Contact resistance ≤5mΩ  
 Voltage rating 10-30 V DC  
 Current rating 4 A per port / 12 A max. total  
 Insulation resistance > 10<sup>9</sup> Ω

**Accessories (included)**

ZVK 2 dust covers for unused sockets  
 ZBS 10 attachable labels

**Cable Specifications**

| Cable No. | Outer Jacket      | Conductor Size                                       | Color | Outside Diameter |
|-----------|-------------------|--|-------|------------------|
| 328       | PUR, halogen-free | 3 x 0.75 mm <sup>2</sup><br>4x 0.34 mm <sup>2</sup>  | Black | .268" (6.8 mm)   |
| 330       | PUR, halogen-free | 3 x 0.75 mm <sup>2</sup><br>6x 0.34 mm <sup>2</sup>  | Black | .299" (7.6 mm)   |
| 331       | PUR, halogen-free | 3 x 0.75 mm <sup>2</sup><br>8 x 0.34 mm <sup>2</sup> | Black | .315" (8.0 mm)   |

| Part Number            | Ports | Standard Cable Length | Characteristics |
|------------------------|-------|-----------------------|-----------------|
| ASB 4/LED 5-4-328/...M | 4     | 5M and 10M            |                 |
| ASB 6/LED 5-4-330/...M | 6     | 5M and 10M            |                 |
| ASB 8/LED 5-4-331/...M | 8     | 5M and 10M            |                 |



**M12 Actuator/Sensor Distribution Boxes**

ASB 4/LED - RS120M | ASB 8/LED - RS120M

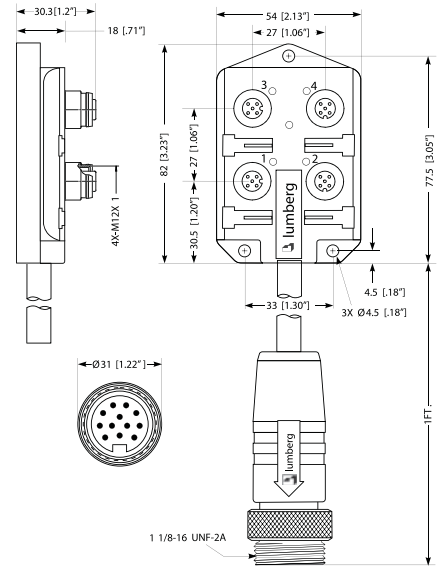


**4- and 8-Ports (LED)**

Actuator/sensor distribution box with LED operation and function indicators, top-entry, 4- and 8-ports, M12 sockets, 4-poles, 1 signal per socket, with integrated Mini quick disconnect home run control cable.

– control cable is suitable for c-track applications –

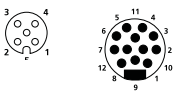
**4-Ports**



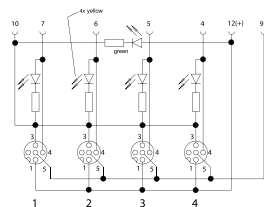
**Pin Assignments**

M12 / Mini 1 1/8"

**Wiring Diagrams**

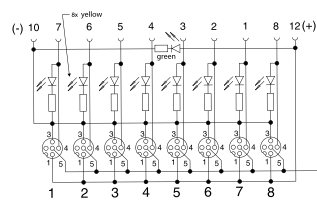


**4-Ports**



- 1 = 12 (+)
- 3 = 10 (-)
- 4 = 1 (7)
- 2 = 2 (6)
- 3 = 3 (5)
- 4 = 4 (4)
- 5 = 9 (gnd)

**8-Ports**



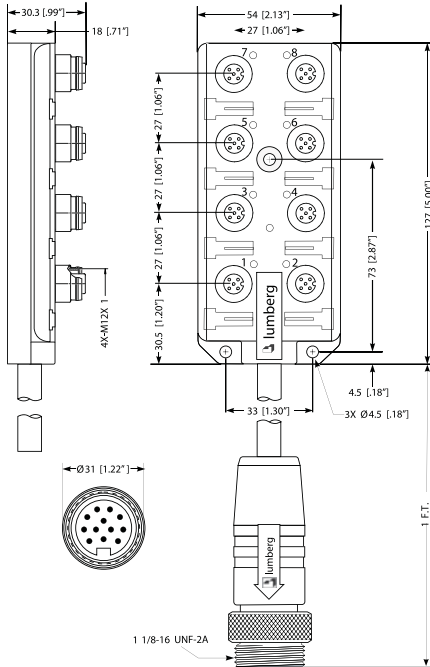
- 1 = 12 (+)
- 3 = 10 (-)
- 4 = 1 (7)
- 2 = 2 (6)
- 3 = 3 (5)
- 4 = 4 (4)
- 5 = 5 (3)
- 6 = 6 (2)
- 7 = 7 (1)
- 8 = 8 (8)
- 5 = 9 (gnd)



Be Certain with Belden

**M12 Actuator/Sensor Distribution Boxes**  
 ASB 4/LED 5-4-328/RS120M | ASB/LED 8 5-4-331/RS120M

**8-Ports**



**Technical Data**

**Environmental**

Degree of protection IP 67 / NEMA 6P  
 Operating temperature range -15°C (+5°F) / +80°C (+176°F)

**Mechanical**

Housing PUR, yellow  
 Insert Nylon  
 Contact CuZn, gold plated  
 Receptacle shell CuZn, nickel-plated  
 O-ring FKM

**Mini Quick Disconnect**

Molded body PUR, yellow  
 Insert PUR, yellow  
 Contact CuZn, gold plated  
 Coupling nut Aluminum, black anodized

**Electrical**

Contact resistance  $\leq 5m\Omega$   
 Voltage rating 10-30 V DC  
 Current rating 4 A per port / 12 A max. total  
 Insulation resistance  $> 10^9 \Omega$

**Accessories (included)**

ZVK  
 ZBS  
 2 dust covers for unused sockets  
 10 attachable labels

**Cable Specifications**

| Cable No. | Outer Jacket      | Conductor Size                                       | Color | Outside Diameter |
|-----------|-------------------|--|-------|------------------|
| 328       | PUR, halogen-free | 3 x 0.75 mm <sup>2</sup><br>4 x 0.34 mm <sup>2</sup> | Black | .268" (6.8 mm)   |
| 331       | PUR, halogen-free | 3 x 0.75 mm <sup>2</sup><br>8 x 0.34 mm <sup>2</sup> | Black | .315" (8.0 mm)   |

| Part Number              | Ports | Cable Length | Characteristics |
|--------------------------|-------|--------------|-----------------|
| ASB 4/LED 5-4-328/RS120M | 4     | 1F           |                 |
| ASB 8/LED 5-4-331/RS120M | 8     | 1F           |                 |





Be Certain with Belden

**M12 Actuator/Sensor Distribution Boxes**  
ASB 8/LED 5-4/1.5M

**Technical Data**

**Environmental**

Degree of protection IP 67 / NEMA 6P  
Operating temperature range -15°C (+5°F) / +80°C (+176°F)

**Mechanical**

Housing TPU, self-extinguishing  
Insert PA GF, self-extinguishing  
Contact CuZn, pre-nickel and 0.8 microns gold-plated  
Receptacle shell CuZn, nickel-plated  
O-ring FKM

**Electrical**

Contact resistance  $\leq 5m\Omega$   
Voltage rating 10-30 V DC  
Current rating 4 A per port / 12 A max. total  
Insulation resistance  $> 10^9 \Omega$

**Accessories (included)**

ZVK 2 dust covers for unused sockets  
ZBS 10 attachable labels

| Part Number        | Ports | Standard Wire Length | Characteristics   |
|--------------------|-------|----------------------|---|
| ASB 8/LED 5-4/1.5M | 8     | 1.5M                 |    |

## M12 Actuator/Sensor Distribution Boxes

ASBV

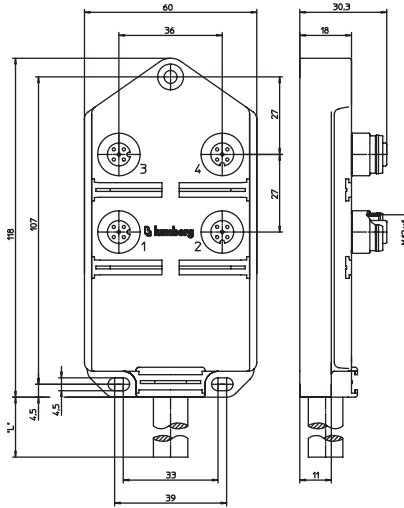


### 8-Ports

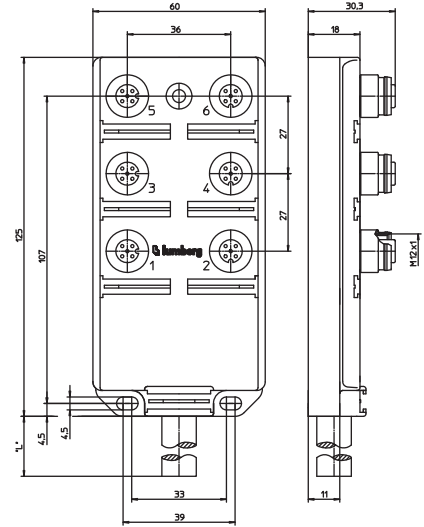
Actuator/sensor distribution box, top-entry, 4-, 6-, and 8-ports, M12 sockets, 5-poles, 2 signals per socket, with integrated control cable.

– control cable is suitable for c-track applications –

### 4-Ports



### 6-Ports



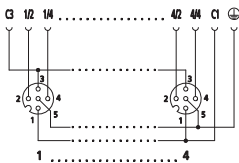
## Pin Assignments

M12

### Wiring Diagrams

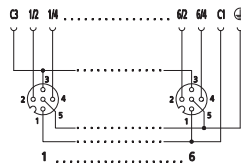


#### 4-Ports



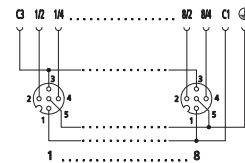
- |                  |      |
|------------------|------|
| 1 = brown        | (C1) |
| 2 = grey/pink    | (1)  |
| red/blue         | (2)  |
| white/green      | (3)  |
| brown/green      | (4)  |
| blue             | (C3) |
| white            | (1)  |
| green            | (2)  |
| yellow           | (3)  |
| grey             | (4)  |
| 5 = green/yellow | (PE) |

#### 6-Ports



- |               |      |                  |      |
|---------------|------|------------------|------|
| 1 = brown     | (C1) | 4 = white        | (1)  |
| 2 = grey/pink | (1)  | green            | (2)  |
| red/blue      | (2)  | yellow           | (3)  |
| white/green   | (3)  | grey             | (4)  |
| brown/green   | (4)  | pink             | (5)  |
| white/yellow  | (5)  | red              | (6)  |
| yellow/brown  | (6)  | 5 = green/yellow | (PE) |
| 3 = blue      | (C3) |                  |      |

#### 8-Ports



- |               |      |                  |      |
|---------------|------|------------------|------|
| 1 = brown     | (C1) | 3 = blue         | (C3) |
| 2 = grey/pink | (1)  | 4 = white        | (1)  |
| red/blue      | (2)  | green            | (2)  |
| white/green   | (3)  | yellow           | (3)  |
| brown/green   | (4)  | grey             | (4)  |
| white/yellow  | (5)  | pink             | (5)  |
| yellow/brown  | (6)  | red              | (6)  |
| white/yellow  | (7)  | black            | (7)  |
| grey/brown    | (8)  | violet           | (8)  |
|               |      | 5 = green/yellow | (PE) |

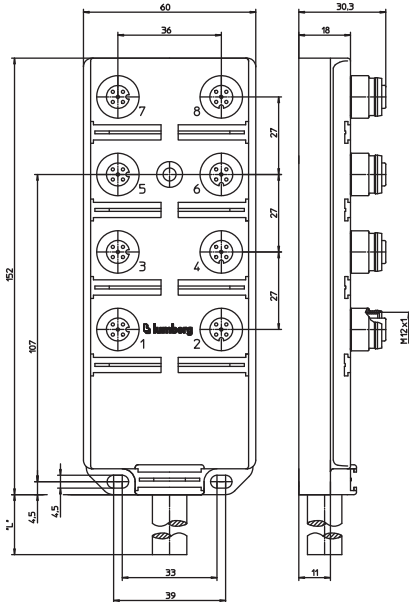


Be Certain with Belden

### M12 Actuator/Sensor Distribution Boxes

ASBV 4 5-256 | ASBV 6 5-332 | ASBV 8 5-242

#### 8-Ports



#### Technical Data

##### Environmental

Degree of protection IP 67 / NEMA 6P  
 Operating temperature range -15°C (+5°F) / +80°C (+176°F)

##### Mechanical

Housing TPU, self-extinguishing  
 Insert PA GF, self-extinguishing  
 Contact CuZn, pre-nickelated and 0.8 microns gold-plated  
 Receptacle shell CuZn, nickel-plated  
 O-ring FKM

##### Electrical

Contact resistance ≤5mΩ  
 Voltage rating 250 V  
 Current rating 4 A per port / 12 A max. total  
 Insulation resistance > 10<sup>9</sup> Ω

##### Accessories (included)

ZVK 2 dust covers for unused sockets  
 ZBS 10 attachable labels

#### Cable Specifications

| Cable No. | Outer Jacket      | Conductor Size  | Color | Outside Diameter |
|-----------|-------------------|---|-------|------------------|
| 256       | PUR, halogen-free | 3 x 1.00 mm <sup>2</sup><br>8 x 0.50 mm <sup>2</sup>  | Black | .457" (11.6 mm)  |
| 332       | PUR, halogen-free | 3 x 1.00 mm <sup>2</sup><br>12 x 0.50 mm <sup>2</sup> | Black | .358" (9.1 mm)   |
| 242       | PUR, halogen-free | 3 x 1.00 mm <sup>2</sup><br>16 x 0.50 mm <sup>2</sup> | Black | .453" (11.5 mm)  |

| Part Number       | Ports | Standard Cable Length | Characteristics |
|-------------------|-------|-----------------------|-----------------|
| ASBV 4 5-256/...M | 4     | 5M and 10M            |                 |
| ASBV 6 5-332/...M | 6     | 5M and 10M            |                 |
| ASBV 8 5-242/...M | 8     | 5M and 10M            |                 |

Distribution Boxes

## M12 Actuator/Sensor Distribution Boxes

ASBV.../LED

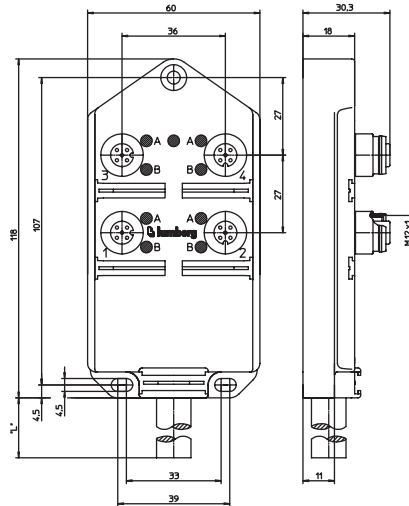


### 8-Ports (LED)

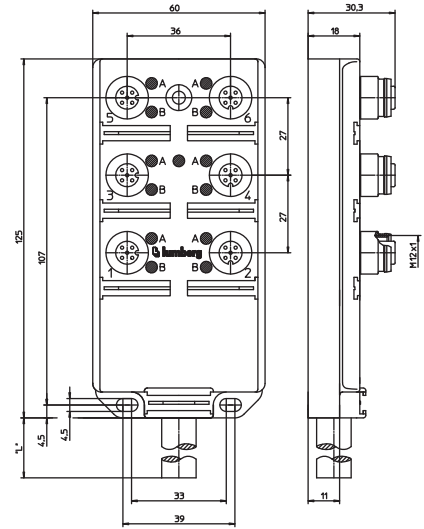
Actuator/sensor distribution box with LED operation and function indicators, top-entry, 4-, 6-, and 8-ports, M12 sockets, 5-poles, 2 signals per socket, with integrated control cable.

– control cable is suitable for c-track applications –

### 4-Ports



### 6-Ports



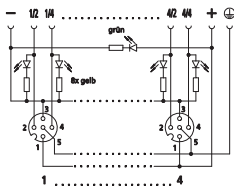
## Pin Assignments

M12

### Wiring Diagrams

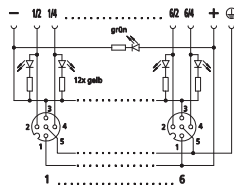


#### 4-Ports



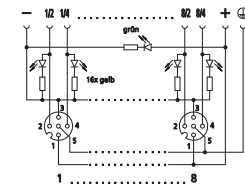
- |     |              |      |
|-----|--------------|------|
| 1 = | brown        | (C1) |
| 2 = | grey/pink    | (1)  |
|     | red/blue     | (2)  |
|     | white/green  | (3)  |
|     | brown/green  | (4)  |
|     | blue         | (C3) |
|     | white        | (1)  |
|     | green        | (2)  |
|     | yellow       | (3)  |
|     | grey         | (4)  |
| 5 = | green/yellow | (PE) |

#### 6-Ports



- |     |              |      |     |              |     |
|-----|--------------|------|-----|--------------|-----|
| 1 = | brown        | (C1) | 4 = | white        | (1) |
| 2 = | grey/pink    | (1)  |     | green        | (2) |
|     | red/blue     | (2)  |     | yellow       | (3) |
|     | white/green  | (3)  |     | grey         | (4) |
|     | brown/green  | (4)  |     | pink         | (5) |
|     | white/yellow | (5)  |     | red          | (6) |
|     | yellow/brown | (6)  | 5 = | green/yellow |     |
| 3 = | blue         | (-)  |     | (PE)         |     |

#### 8-Ports



- |     |              |      |     |              |      |
|-----|--------------|------|-----|--------------|------|
| 1 = | brown        | (C1) | 3 = | blue         | (-)  |
| 2 = | grey/pink    | (1)  | 4 = | white        | (1)  |
|     | red/blue     | (2)  |     | green        | (2)  |
|     | white/green  | (3)  |     | yellow       | (3)  |
|     | brown/green  | (4)  |     | grey         | (4)  |
|     | white/yellow | (5)  |     | pink         | (5)  |
|     | yellow/brown | (6)  |     | red          | (6)  |
|     | white/yellow | (7)  |     | black        | (7)  |
|     | grey/brown   | (8)  |     | violet       | (8)  |
|     |              |      | 5 = | green/yellow | (PE) |

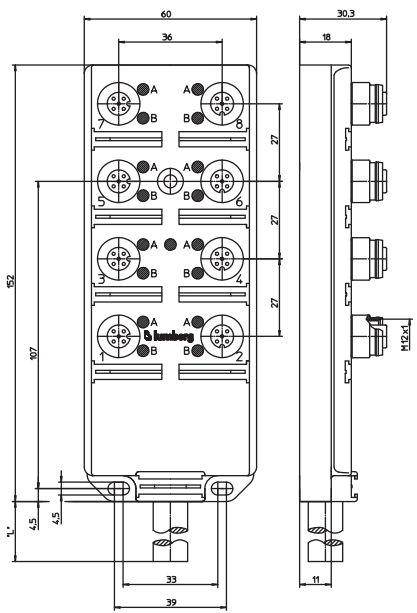


# Be Certain with Belden

## M12 Actuator/Sensor Distribution Boxes

ASBV 4/LED 5-256 | ASBV 6/LED 5-332 | ASBV 8/LED 5-242

### 8-Ports



### Technical Data

#### Environmental

Degree of protection IP 67 / NEMA 6P  
 Operating temperature range -15°C (+5°F) / +80°C (+176°F)

#### Mechanical

Housing TPU, self-extinguishing  
 Insert PA GF, self-extinguishing  
 Contact CuZn, pre-nickeled and 0.8 microns gold-plated  
 Receptacle shell CuZn, nickel-plated  
 O-ring FKM

#### Electrical

Contact resistance ≤5mΩ  
 Voltage rating 10-30 V DC  
 Current rating 4 A per port / 12 A max. total  
 Insulation resistance > 10<sup>9</sup> Ω

#### Accessories (included)

ZVK 2 dust covers for unused sockets  
 ZBS 10 attachable labels

### Cable Specifications

| Cable No. | Outer Jacket      | Conductor Size  | Color | Outside Diameter |
|-----------|-------------------|---|-------|------------------|
| 256       | PUR, halogen-free | 3 x 1.00 mm <sup>2</sup><br>8 x 0.50 mm <sup>2</sup>  | Black | .457" (11.6 mm)  |
| 332       | PUR, halogen-free | 3 x 1.00 mm <sup>2</sup><br>12x 0.50 mm <sup>2</sup>  | Black | .358" (9.1 mm)   |
| 242       | PUR, halogen-free | 3 x 1.00 mm <sup>2</sup><br>16 x 0.50 mm <sup>2</sup> | Black | .453" (11.5 mm)  |

| Part Number           | Ports | Standard Cable Length | Characteristics |
|-----------------------|-------|-----------------------|-----------------|
| ASBV 4/LED 5-256/...M | 4     | 5M, 10M, 15M          |                 |
| ASBV 6/LED 5-332/...M | 6     | 5M, 10M, 15M          |                 |
| ASBV 8/LED 5-242/...M | 8     | 5M, 10M, 15M          |                 |



## M12 Actuator/Sensor Distribution Boxes

ASBV

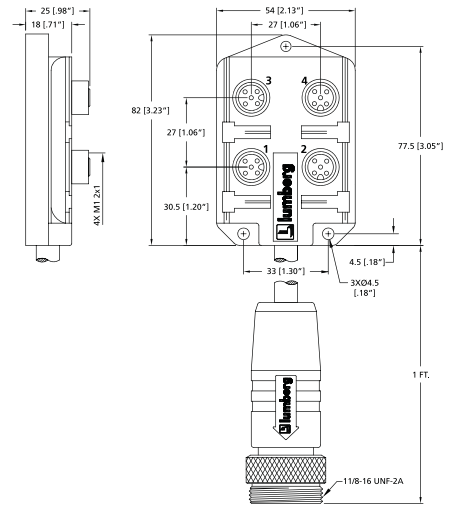


### 4- and 8-Ports (Dual Solenoids)

Actuator distribution box with dual solenoids, 8-ports, top-entry, M12 sockets, 3-poles, 2 signals per socket, with Mini quick-disconnect control cable.

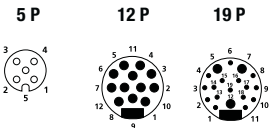
– control cable is suitable for c-track applications –

### 4-Ports



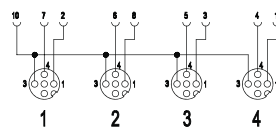
## Pin Assignments

### M12 / Mini 1 1/8"



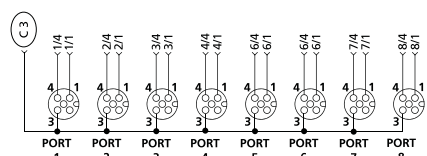
### Wiring Diagrams

#### 4-Ports



- 1 = brown/green
- 2 = grey/pink
- 3 = white/green
- 4 = grey
- 5 = yellow
- 6 = green
- 7 = white
- 8 = red/blue
- 9 = n.c.
- 10 = blue (-)
- 11 = n.c.
- 12 = n.c.

#### 8-Ports



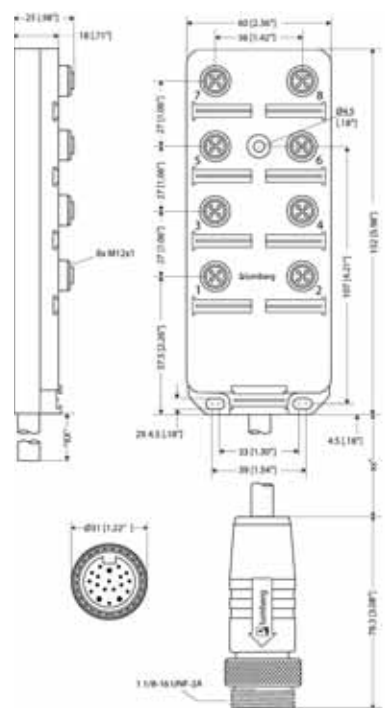
- |                   |                 |                 |
|-------------------|-----------------|-----------------|
| 1 = grey/pink (1) | 19 = white(1)   | 15 = green (2)  |
| red/blue (2)      | 4 = green (2)   | 6 = yellow (3)  |
| white/green (3)   | 8 = yellow (3)  | 16 = grey (4)   |
| brown/green (4)   | 14 = grey (4)   | 3 = pink (5)    |
| white/yellow (5)  | 9 = pink (5)    | 17 = red (6)    |
| yellow/brown (6)  | 13 = red (6)    | 2 = black (7)   |
| white/grey (7)    | 10 = black (7)  | 11 = violet (8) |
| grey/brown(8)     | 18 = violet (8) | 1 = n.c.        |
| 3 = blue (C3) (-) | 5 = n.c.        | 7 =             |



Be Certain with Belden

**M12 Actuator/Sensor Distribution Boxes**  
 ASBV 4 4-3-138/RS120M | ASBV 8 4-3-139/RS190M

**8-Ports**



**Technical Data**

**Environmental**  
 Degree of protection IP 67 / NEMA 6P  
 Operating temperature range -15°C (+5°F) / +90°C (+194°F)

**Mechanical**  
 Housing PUR, grey  
 Insert Nylon  
 Contact CuZn, gold plated  
 Receptacle shell CuZn, nickel-plated  
 O-ring FKM

**Mini Quick Disconnect**  
 Molded body PUR, yellow  
 Insert PUR, yellow  
 Contact CuZn, gold plated  
 Coupling nut Aluminum, black anodized

**Electrical**  
 Contact resistance ≤5mΩ  
 Voltage rating 250 V  
 Current rating 4 A per port / 12 A max. total  
 Insulation resistance > 10<sup>9</sup> Ω

**Accessories (included)**  
 ZVK 2 dust covers for unused sockets  
 ZBS 10 attachable labels

**Cable Specifications**

| Cable No. | Outer Jacket | Conductor Size  | Color | Outside Diameter |
|-----------|--------------|---|-------|------------------|
| 138       | PUR/PVC      | 1 x 0.75 mm <sup>2</sup><br>8 x 0.34 mm <sup>2</sup>  | Black | .354" (9.0 mm)   |
| 139       | PUR/PVC      | 1 x 1.00 mm <sup>2</sup><br>16 x 0.34 mm <sup>2</sup> | Black | .425" (10.8 mm)  |

| Part Number           | Ports | Standard Cable Length | Characteristics |
|-----------------------|-------|-----------------------|-----------------|
| ASBV 4 4-3-138/RS120M | 4     | 1F                    |                 |
| ASBV 8 4-3-139/RS190M | 8     | 1F                    |                 |

## M12 Actuator/Sensor Distribution Boxes

ASBV...LED

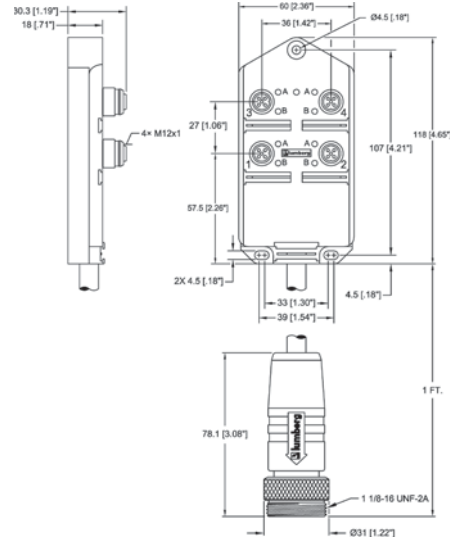


### 4- and 8-Ports (LED)

Pluggable actuator/sensor distribution box with LED operation and function indicators, 4- and 8-ports, top-entry, M12 sockets, 5-poles, 2 signals per socket, with integrated Mini quick-disconnect control cable.

– control cable is suitable for c-track applications –

### 4-Ports



### Pin Assignments

M12 / Mini 1 1/8"

Wiring Diagrams

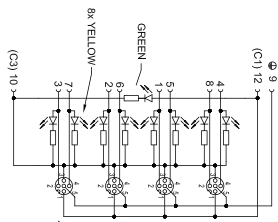
5 P

12 P

19 P

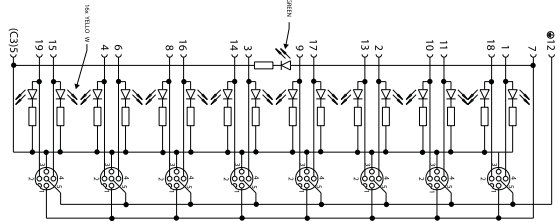


4-Ports



|                  |       |    |
|------------------|-------|----|
| 1 = brown        | (C1)  | 12 |
| 2 = grey/pink    | (1)   | 3  |
| red/blue         | (2)   | 2  |
| white/green      | (3)   | 1  |
| brown/green      | (4)   | 8  |
| 3 = blue         | (C3)  | 10 |
| 4 = white        | (1)   | 7  |
| green            | (2)   | 6  |
| yellow           | (3)   | 5  |
| grey             | (4)   | 4  |
| 5 = yellow/green | (gnd) | 9  |

8-Ports



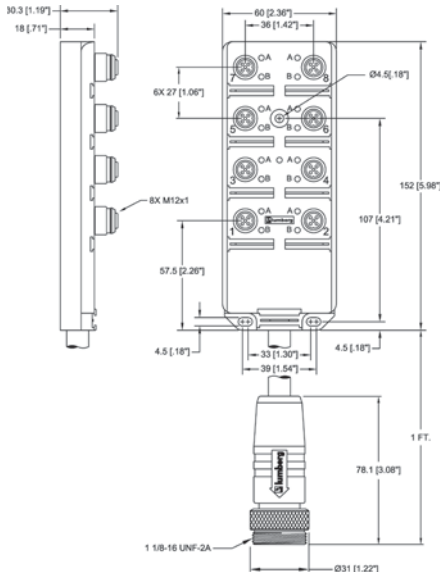
|                  |       |      |
|------------------|-------|------|
| 1 = brown        | (C1)  | (7)  |
| 2 = grey/pink    | (1)   | (19) |
| red/blue         | (2)   | (4)  |
| white/green      | (3)   | (8)  |
| brown/green      | (4)   | (14) |
| white/yellow     | (5)   | (9)  |
| yellow/brown     | (6)   | (13) |
| white/grey       | (8)   | (18) |
| 3 = blue         | (C3)  | (5)  |
| 4 = white        | (1)   | (15) |
| green            | (2)   | (6)  |
| yellow           | (3)   | (16) |
| grey             | (4)   | (3)  |
| pink             | (5)   | (17) |
| red              | (6)   | (2)  |
| black            | (7)   | (11) |
| violet           | (8)   | (1)  |
| 5 = yellow/green | (gnd) | (12) |



Be Certain with Belden

**M12 Actuator/Sensor Distribution Boxes**  
 ASBV 4/LED 5-256/RS120M | ASBV 8/LED 5-242/RS190M

**8-Ports**



**Technical Data**

**Environmental**

Degree of protection IP 67 / NEMA 6P  
 Operating temperature range -15°C (+5°F) / +90°C (+194°F)

**Mechanical**

Housing PUR, yellow  
 Insert Nylon  
 Contact CuZn, gold plated  
 Receptacle shell CuZn, nickel-plated  
 O-ring FKM

**Mini Quick Disconnect**

Molded body PUR, yellow  
 Insert PUR, yellow  
 Contact CuZn, gold plated  
 Coupling nut Aluminum, black anodized

**Electrical**

Contact resistance ≤5mΩ  
 Voltage rating 10-30 V DC  
 Current rating 4 A per port / 12 A max. total  
 Insulation resistance > 10<sup>9</sup> Ω

**Accessories (included)**

ZVK 2 dust covers for unused sockets  
 ZBS 10 attachable labels

**Cable Specifications**

| Cable No. | Outer Jacket | Conductor Size  | Color | Outside Diameter |
|-----------|--------------|---|-------|------------------|
| 256       | PUR          | 3 x 1.75 mm <sup>2</sup><br>8 x 0.50 mm <sup>2</sup>  | Black | .366" (9.3 mm)   |
| 242       | PUR          | 3 x 1.00 mm <sup>2</sup><br>16 x 0.50 mm <sup>2</sup> | Black | .457" (11.6 mm)  |

| Part Number             | Ports | Standard Cable Length | Characteristics |
|-------------------------|-------|-----------------------|-----------------|
| ASBV 4/LED 5-256/RS120M | 4     | 1F                    |                 |
| ASBV 8/LED 5-242/RS190M | 8     | 1F                    |                 |

## M12 Actuator/Sensor Distribution Boxes

ASBS

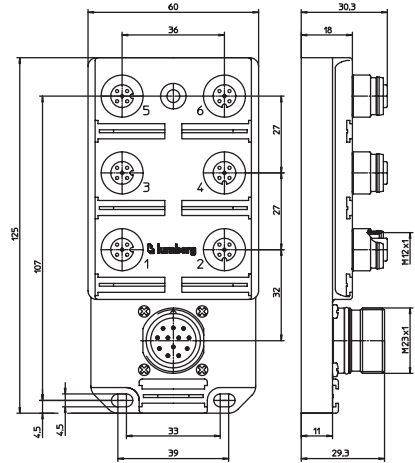


### 6- and 8-Ports

Pluggable actuator/sensor distribution box, 6- and 8-ports, top-entry, M12 sockets, 4-poles, 1 signals per socket, with M23 quick-disconnect for the control cable.

– control cable type: 12P: RKU 12-256/...M or RKWU 12-256/...M –

### 6-Ports



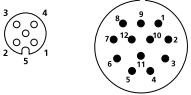
## Pin Assignments

M12 / M23

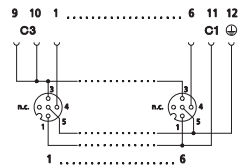
Wiring Diagrams

5 P

12 P

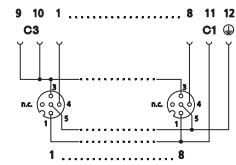


### 6-Ports



- |     |      |      |
|-----|------|------|
| 1 = | 11   | (C1) |
| 2 = | n.c. |      |
| 3 = | 9    | (C3) |
| 4 = | 1    | (1)  |
|     | 2    | (2)  |
|     | 3    | (3)  |
|     | 4    | (4)  |
|     | 5    | (5)  |
|     | 6    | (6)  |
| 5 = | 12   | (PE) |

### 8-Ports



- |     |      |      |
|-----|------|------|
| 1 = | 11   | (C1) |
| 2 = | n.c. |      |
| 3 = | 9    | (C3) |
| 4 = | 1    | (1)  |
|     | 2    | (2)  |
|     | 3    | (3)  |
|     | 4    | (4)  |
|     | 5    | (5)  |
|     | 6    | (6)  |
|     | 7    | (7)  |
|     | 8    | (8)  |
| 5 = | 12   | (PE) |

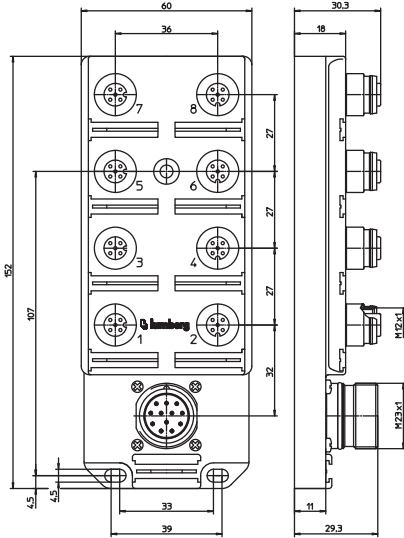


Be Certain with Belden

**M12 Actuator/Sensor Distribution Boxes**

ASBS 6 5-4 | ASBS 8 5-4

**8-Ports**



**Technical Data**

**Environmental**

Degree of protection IP 67 / NEMA 6P  
 Operating temperature range -15°C (+5°F) / +80°C (+176°F)

**Mechanical**

Housing TPU, self-extinguishing  
 Insert PA GF, self-extinguishing  
 Contact CuZn, pre-nickel and 0.8 microns gold-plated  
 Receptacle shell CuZn, nickel-plated  
 O-ring FKM

**Electrical**

Contact resistance  $\leq 5m\Omega$   
 Voltage rating 250 V  
 Current rating 4 A per port / 12 A max. total  
 Insulation resistance  $> 10^9 \Omega$

**Accessories (included)**

ZVK 2 dust covers for unused sockets  
 ZBS 10 attachable labels

| Part Number | Ports | Mating Control Cables               | Characteristics |
|-------------|-------|-------------------------------------|-----------------|
| ASBS 6 5-4  | 6     | RKU 12-256/...M or RKWU 12-256/...M |                 |
| ASBS 8 5-4  | 8     | RKU 12-256/...M or RKWU 12-256/...M |                 |

**M12 Actuator/Sensor Distribution Boxes**

ASBS.../LED

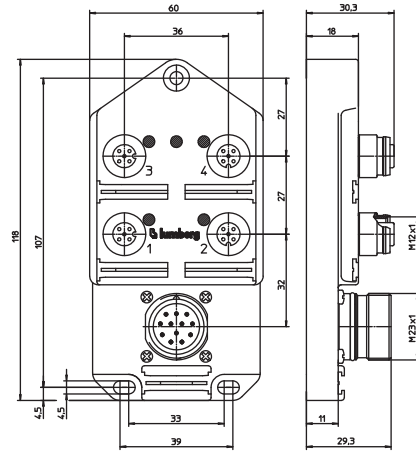


**4-, 6- and 8-Ports (LED)**

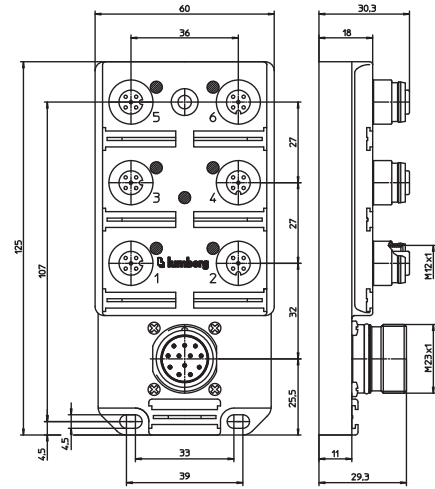
Pluggable actuator/sensor distribution box with LED operation and function indicators, 4-, 6-, and 8-ports, top-entry, M12 sockets, 4-poles, 1 signals per socket, with M23 quick-disconnect for the control cable.

– control cable type: 12P: RKU 12-256/...M or RKWU 12-256/...M –

**4-Ports**



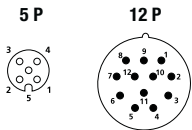
**6-Ports**



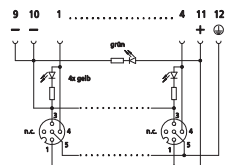
**Pin Assignments**

M12 / M23

**Wiring Diagrams**

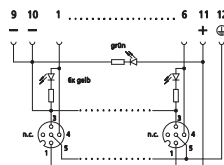


**4-Ports**



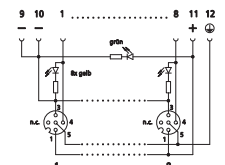
- 1 = 11 (+)
- 2 = n.c.
- 3 = 9 (-)
- 4 = 1 (1)
- 2 (2)
- 3 (3)
- 4 (4)
- 5 (5)
- 6 (6)
- 5 = 12 (PE)

**6-Ports**



- 1 = 11 (+)
- 2 = n.c.
- 3 = 9 (-)
- 4 = 1 (1)
- 2 (2)
- 3 (3)
- 4 (4)
- 5 (5)
- 6 (6)
- 5 = 12 (PE)

**8-Ports**



- 1 = 11 (+)
- 2 = n.c.
- 3 = 9 (-)
- 4 = 1 (1)
- 2 (2)
- 3 (3)
- 4 (4)
- 5 (5)
- 6 (6)
- 7 (7)
- 8 (8)
- 5 = 12 (PE)

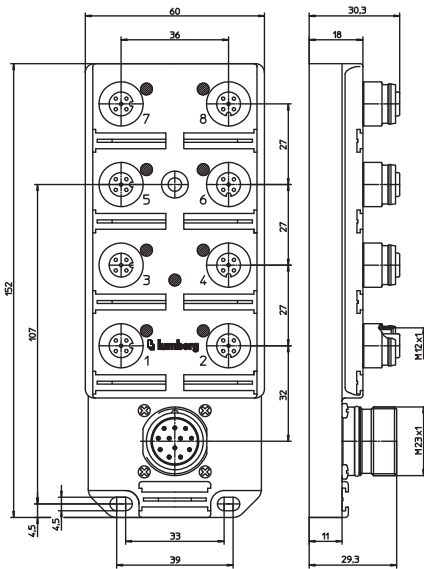


Be Certain with Belden

**M12 Actuator/Sensor Distribution Boxes**

ASBS 4 5-4/LED | ASBS 6 5-4/LED | ASBS 8 5-4/LED

**8-Ports**



**Technical Data**

**Environmental**

Degree of protection IP 67 / NEMA 6P  
 Operating temperature range -15°C (+5°F) / +80°C (+176°F)

**Mechanical**

Housing TPU, self-extinguishing  
 Insert PA GF, self-extinguishing  
 Contact CuZn, pre-nickel and 0.8 microns gold-plated  
 Receptacle shell CuZn, nickel-plated  
 O-ring FKM

**Electrical**

Contact resistance  $\leq 5m\Omega$   
 Voltage rating 10-30 V DC  
 Current rating 4 A per port / 12 A max. total  
 Insulation resistance  $> 10^9 \Omega$

**Accessories (included)**

ZVK 2 dust covers for unused sockets  
 ZBS 10 attachable labels

| Part Number    | Ports | Mating Control Cables               | Characteristics |
|----------------|-------|-------------------------------------|-----------------|
| ASBS 4/LED 5-4 | 4     | RKU 12-256/...M or RKWU 12-256/...M |                 |
| ASBS 6/LED 5-4 | 6     | RKU 12-256/...M or RKWU 12-256/...M |                 |
| ASBS 8/LED 5-4 | 8     | RKU 12-256/...M or RKWU 12-256/...M |                 |



## M12 Actuator/Sensor Distribution Boxes

ASBS 8/LED 5-4/4E4A

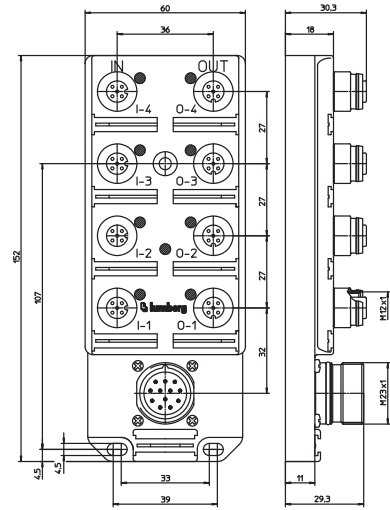


### 8-Ports (LED)

Pluggable actuator/sensor distribution box with LED operation and function indicators, to connect 4 standard sensors and actuators with separate power supply for inputs and outputs, 8-ports, top-entry, M12 sockets, 4-poles, 1 signals per socket, with M23 quick-disconnect for the control cable.

– field attachable type: 12P: RKC 120/13.5 or RKCW 13.5 –

### 8-Ports



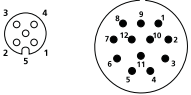
## Pin Assignments

M12 / M23

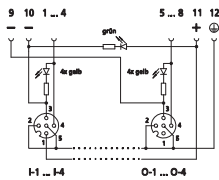
Wiring Diagrams

5 P

12 P



### 4-Ports



| IN  |         | OUT |         |
|-----|---------|-----|---------|
| 1 = | 11 (+)  | 1 = | n.c.    |
| 2 = | 12 (PE) | 2 = | 12 (PE) |
| 3 = | 10 (-)  | 3 = | 9 (-)   |
| 4 = | 1       | 4 = | 5       |
|     | 2       |     | 6       |
|     | 3       |     | 7       |
|     | 4       |     | 8       |
| 5 = | 12 (PE) | 5 = | 12 (PE) |



Distribution Boxes

Be Certain with Belden

**M12 Actuator/Sensor Distribution Boxes**

ASBS 8/LED 5-4/4E4A

**Technical Data**

**Environmental**

Degree of protection IP 67 / NEMA 6P  
 Operating temperature range -15°C (+5°F) / +80°C (+176°F)

**Mechanical**




Housing TPU, self-extinguishing  
 Insert PA GF, self-extinguishing  
 Contact CuZn, pre-nickelated and 0.8 microns gold-plated  
 Receptacle shell CuZn, nickel-plated  
 O-ring FKM

**Electrical**

Contact resistance  $\leq 5m\Omega$   
 Voltage rating 10-30 V DC  
 Current rating 4 A per port / 12 A max. total  
 Insulation resistance  $> 10^9 \Omega$

**Accessories (included)**

ZVK 2 dust covers for unused sockets  
 ZBS 10 attachable labels

| Part Number         | Ports | Mating Field Attachable for Control Connection | Characteristics   |
|---------------------|-------|--|---|
| ASBS 8/LED 5-4/4E4A | 8     | RKC 120/13.5 or RKCW 120/13.5                  |    |

**M12 Actuator/Sensor Distribution Boxes**

ASBSV

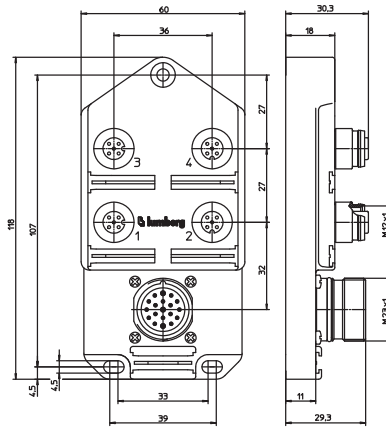


**4-, 6-, and 8-Ports**

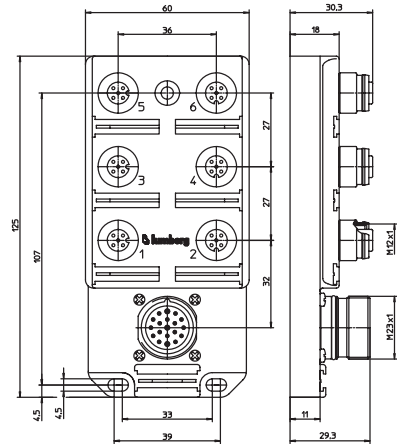
Pluggable actuator/sensor distribution box, 4-, 6-, and 8-ports, top-entry, M12 sockets, 5-poles, 2 signals per socket, with M23 quick-disconnect for the control cable.

– control cable type: 19P: RKU 19-242/...M or RKWU 19-242/...M –

**4-Ports**



**6-Ports**

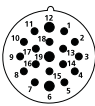


**Pin Assignments**

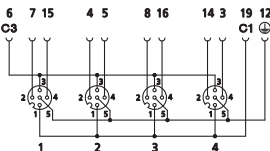
M12 / M23

Wiring Diagrams

**5 P / 19 P**

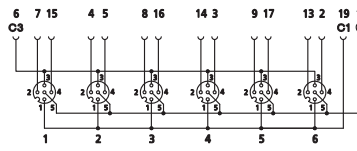


**4-Ports**



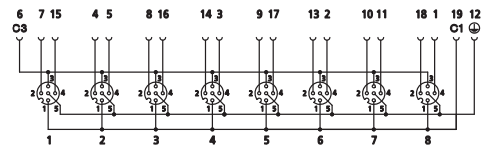
- 1 = 19 (C1)
- 2 = 1 (7)
- 2 = 2 (4)
- 3 = 3 (8)
- 4 = 4 (14)
- 3 = 6 (C3)
- 4 = 1 (15)
- 2 = 2 (5)
- 3 = 3 (16)
- 4 = 4 (3)
- 5 = 12 (PE)

**6-Ports**



- 1 = 19 (C1)
- 2 = 1 (7)
- 2 = 2 (4)
- 3 = 3 (8)
- 4 = 4 (14)
- 5 = 5 (9)
- 6 = 6 (13)
- 3 = 6 (C3)
- 4 = 1 (15)
- 2 = 2 (5)
- 3 = 3 (16)
- 4 = 4 (3)
- 5 = 5 (17)
- 6 = 6 (2)
- 5 = 12 (PE)

**8-Ports**



- 1 = 19 (C1)
- 2 = 1 (7)
- 2 = 2 (4)
- 3 = 3 (8)
- 4 = 4 (14)
- 5 = 5 (9)
- 6 = 6 (13)
- 7 = 7 (10)
- 8 = 8 (18)
- 3 = 6 (C3)
- 4 = 1 (15)
- 2 = 2 (5)
- 3 = 3 (16)
- 4 = 4 (3)
- 5 = 5 (17)
- 6 = 6 (2)
- 7 = 7 (11)
- 8 = 8 (1)
- 5 = 12 (PE)

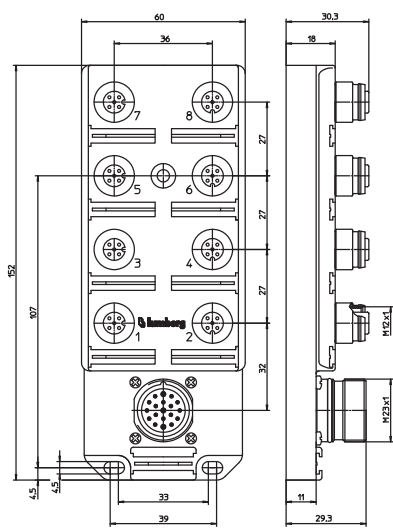


Be Certain with Belden

**M12 Actuator/Sensor Distribution Boxes**

ASBSV 4 5-4 | ASBSV 6 5-4 | ASBSV 8 5-4

**8-Ports**



**Technical Data**

**Environmental**

Degree of protection IP 67 / NEMA 6P  
 Operating temperature range -15°C (+5°F) / +80°C (+176°F)

**Mechanical**

Housing TPU, self-extinguishing  
 Insert PA GF, self-extinguishing  
 Contact CuZn, pre-nickel and 0.8 microns gold-plated  
 Receptacle shell CuZn, nickel-plated  
 O-ring FKM

**Electrical**

Contact resistance ≤5mΩ  
 Voltage rating 250 V  
 Current rating 4 A per port / 10 A max. total  
 Insulation resistance > 10<sup>9</sup> Ω

**Accessories (included)**

ZVK 2 dust covers for unused sockets  
 ZBS 10 attachable labels

| Part Number | Ports | Mating Control Cables               | Characteristics |
|-------------|-------|-------------------------------------|-----------------|
| ASBSV 4 5-4 | 4     | RKU 19-242/...M or RKWU 19-242/...M |                 |
| ASBSV 6 5-4 | 6     | RKU 19-242/...M or RKWU 19-242/...M |                 |
| ASBSV 8 5-4 | 8     | RKU 19-242/...M or RKWU 19-242/...M |                 |

**M12 Actuator/Sensor Distribution Boxes**

ASBSV...LED

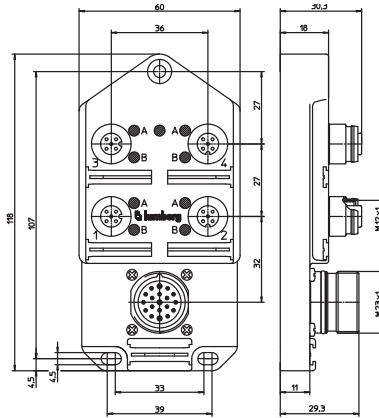


**4-, 6-, and 8-Ports (LED)**

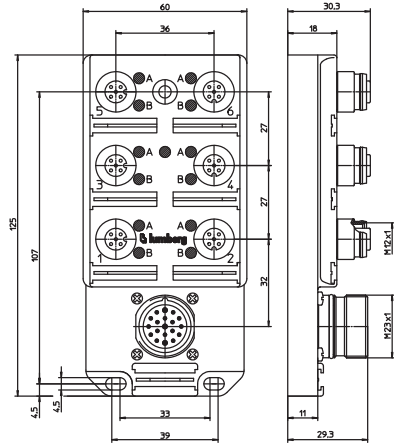
Pluggable actuator/sensor distribution box with LED operation and function indicators, 4-, 6-, and 8-ports, top-entry, M12 sockets, 5-poles, 2 signals per socket, with M23 quick-disconnect for the control cable.

– control cable type: 19P: RKU 19-242/...M or RKWU 19-242/...M –

**4-Ports**



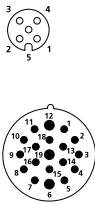
**6-Ports**



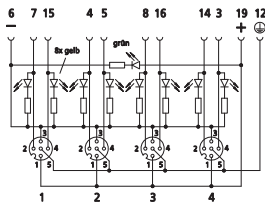
**Pin Assignments**

**M12 / M23 Wiring Diagrams**

**5 P / 19 P**



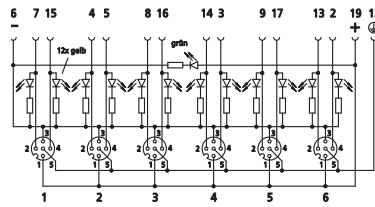
**4-Ports**



a\* 8 x yellow      b\* green

- |     |    |      |
|-----|----|------|
| 1 = | 19 | (C1) |
| 2 = | 1  | (7)  |
|     | 2  | (4)  |
|     | 3  | (8)  |
|     | 4  | (14) |
| 3 = | 6  | (C3) |
| 4 = | 1  | (15) |
|     | 2  | (5)  |
|     | 3  | (16) |
|     | 4  | (3)  |
| 5 = | 12 | (PE) |

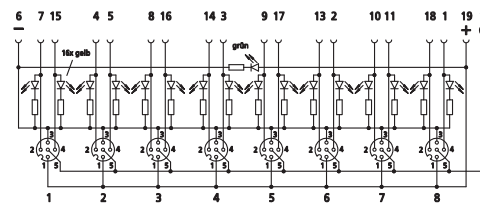
**6-Ports**



a\* 12 x yellow      b\* green

- |     |    |      |
|-----|----|------|
| 1 = | 19 | (C1) |
| 2 = | 1  | (7)  |
|     | 2  | (4)  |
|     | 3  | (8)  |
|     | 4  | (14) |
|     | 5  | (9)  |
|     | 6  | (13) |
| 3 = | 6  | (C3) |
| 4 = | 1  | (15) |
|     | 2  | (5)  |
|     | 3  | (16) |
|     | 4  | (3)  |
|     | 5  | (17) |
|     | 6  | (2)  |
| 5 = | 12 | (PE) |

**8-Ports**



a\* 16 x yellow      b\* green

- |     |    |      |
|-----|----|------|
| 1 = | 19 | (C1) |
| 2 = | 1  | (7)  |
|     | 2  | (4)  |
|     | 3  | (8)  |
|     | 4  | (14) |
|     | 5  | (9)  |
|     | 6  | (13) |
|     | 7  | (10) |
|     | 8  | (18) |
| 3 = | 6  | (C3) |
| 4 = | 1  | (15) |
|     | 2  | (5)  |
|     | 3  | (16) |
|     | 4  | (3)  |
|     | 5  | (17) |
|     | 6  | (2)  |
|     | 7  | (11) |
|     | 8  | (1)  |
| 5 = | 12 | (PE) |



**M12 Actuator/Sensor Distribution Boxes**

ASBSVD 8/LED W5

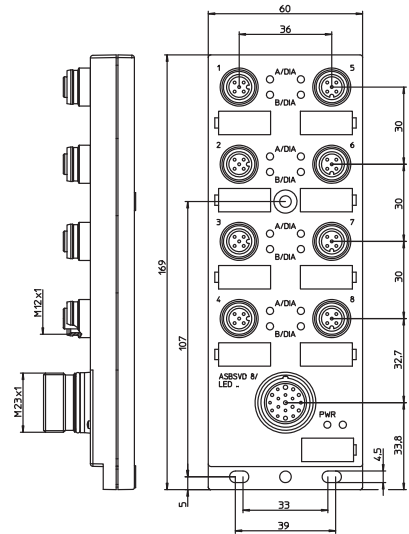


**8-Ports (LED)**

Pluggable actuator/sensor distribution box with LED operation and function indicators, 8-ports with integrated fuses and diagnostics display, top-entry, M12 sockets, 5-poles with M23 quick-disconnect for the control cable.

– control cable type: 19P: RKUF 19-242/...M or RKWUF 19-242/...M –

**8-Ports**



**Pin Assignments**

| M12 / M23  | Wiring Diagrams  |                  |
|------------|------------------|------------------|
| 5 P / 19 P | <b>8-Ports</b>   |                  |
|            | 1 = +24 V (19)   |                  |
|            | 3 = -0 V (6)     |                  |
|            | 5 = 12 (PE)      |                  |
|            | <b>Channel B</b> | <b>Channel A</b> |
|            | 2 = 1 (7)        | 4 = 1 (15)       |
|            | 2 = 2 (4)        | 2 = 2 (5)        |
|            | 3 = 3 (8)        | 3 = 3 (16)       |
|            | 4 = 4 (14)       | 4 = 4 (3)        |
|            | 5 = 5 (9)        | 5 = 5 (17)       |
|            | 6 = 6 (13)       | 6 = 6 (2)        |
|            | 7 = 7 (10)       | 7 = 7 (11)       |
|            | DIA = 8 (18)     | 8 = 8 (1)        |

| Diagnostic Indication |              |                     |
|-----------------------|--------------|---------------------|
| LED                   | Indication   | Condition           |
| 1...8 A/B DIA         | yellow/white | Function            |
| 1...8 A/B DIA         | red          | Periphery faults*   |
| PWR                   | green        | System power supply |

\* The peripheral error is sent as a collective message via the supply line to the control system. This message can be evaluated by the control system and issued as an error message. Therefore there is no channel B available for socket 8.



**M12 Actuator/Sensor Distribution Boxes**

ASBSVD 8/LED W5

**Technical Data**

**Environmental**

Degree of protection IP 67 / NEMA 6P  
 Operating temperature range 0°C (+32°F) / +60°C (+140°F)

**Mechanical**



Housing PBT  
 Insert M12 PA  
 Contact M12 CuZn, pre-nickel and 0.3 microns gold-plated  
 O-ring M12 FKM  
 Insert M23 PBT  
 Contact M23 CuZn, pre-nickel and 0.8 microns gold-plated  
 O-ring M23 NBR  
 Receptacle shell CuZn, nickel-plated

**Electrical**

Nominal current at 40°C 7.5 A max. total  
 Nominal voltage 10-30 V DC  
 Short circuit protection yes  
 electronic fuses for all channels  
 I max outputs 500 mA  
 I max inputs 100 mA  
 Operation indicator LED green  
 Function indicator LED yellow/white  
 Pollution degree 3

**Accessories (included)**

ZVK 2 dust covers for unused sockets  
 ZBS 10 attachable labels

| Part Number     | Ports | Mating Control Cables                 | Characteristics   |
|-----------------|-------|---------------------------------------|---|
| ASBSVD 8/LED W5 | 8     | RKUF 19-242/...M or RKWUF 19-242/...M |   |



## Mini Actuator/Sensor Distribution Boxes

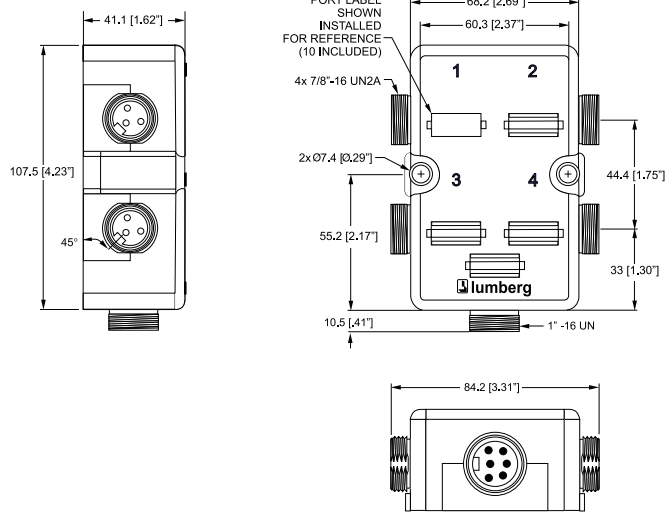
ZLU 4-30 | ZLU 4L 30 | ZLU 4-50



### 4-Ports

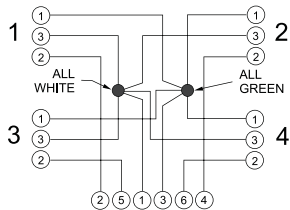
Distribution box, 4-ports with or without lamp indicators, side-entry, 7/8" sockets, 3- and 5-poles with integrated on-board quick-disconnect.

### ZLU 4-30

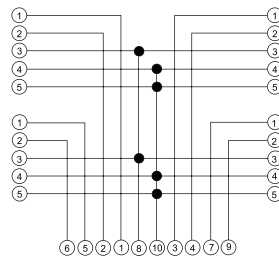


## Wiring Diagrams

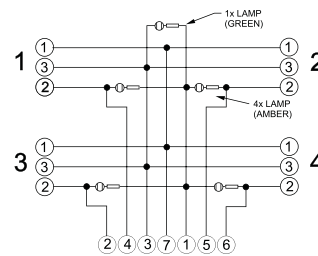
### ZLU 4-30



### ZLU 4-50



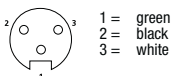
### ZLU 4L-30



## Pin Assignments

### 7/8" (

#### 3 poles (ZLU 4-30)



- 1 = green
- 2 = black
- 3 = white

#### 5 poles (ZLU 4-50)



- 1 = white
- 2 = red
- 3 = green
- 4 = orange
- 5 = black

### 7/8" (Control Connection)

#### 6 poles (ZLU 4-30)



- 1 = white
- 2 = red
- 3 = green
- 4 = orange
- 5 = black
- 6 = blue

### 1" (Control Connection)

#### 7 poles (ZLU 4L-30)



- 1 = white/black
- 2 = black
- 3 = white
- 4 = red
- 5 = orange
- 6 = green

### 1 1/8" (Control Connection)

#### 10 poles (ZLU 4-50)



- 1 = orange
- 2 = blue
- 3 = white/black
- 4 = red/black
- 5 = green/black
- 6 = orange/black
- 7 = red
- 8 = green
- 9 = black
- 10 = white



Be Certain with Belden

### Mini Actuator/Sensor Distribution Boxes

ZLU 4-30 | ZLU 4L 30 | ZLU 4-50

#### Technical Data

##### Environmental

Degree of protection

IP 67 / NEMA 6P

Operating temperature range

-25°C (-13°F) / +90°C (+194°F)

##### Mechanical

Housing

Polyester, glass filled, yellow TPE, black

I/O port shell

Zinc alloy, e-coated black

Control port shell

Aluminum, anodized black

Contacts

CuZn, gold plated

Insert

PUR, yellow

##### Electrical

Current rating

8 A per port

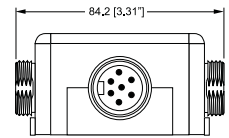
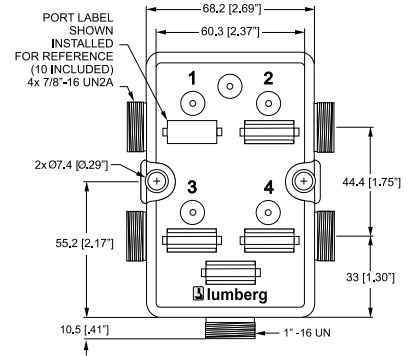
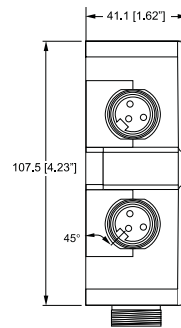
12 A max. per box

Voltage rating

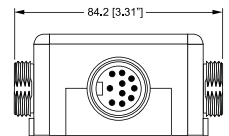
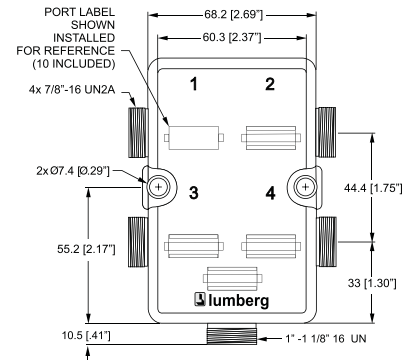
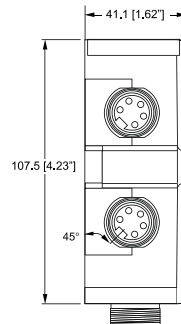
600 V

Technical Data

#### ZLU 4L-30



#### ZLU 4-50



| Part Number | Ports | Lamp Indicators | Mating Control Cables | Characteristics |
|-------------|-------|-----------------|-----------------------|-----------------|
| ZLU 4-30    | 4     |                 | RSRK 601A-697/...F    |                 |
| ZLU 4L-30   | 4     | Lamps           | RSRK 701M-622/...F    |                 |
| ZLU 4-50    | 4     |                 | RSRK 1001M-699/...F   |                 |

**M8 Actuator/Sensor Distribution Boxes**

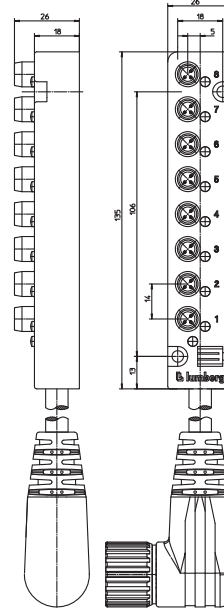
RSWU 12-SB 8/LED



**8-Ports (LED)**

Miniature sensor distribution box with LED operation and function indicators, 8-ports, top-entry, screw-lock M8 sockets, 3-poles, 1 signal per socket, earth connection, integrated control cable with M23 male right angle connector, 12-poles.

**8-Ports**



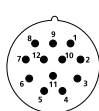
**Pin Assignments**

M8

M23

3 poles

12 poles





Be Certain with Belden

**M8 Actuator/Sensor Distribution Boxes**

RSWU 12-SB 8/LED

**Technical Data**

**Environmental**

Degree of protection IP 67 / NEMA 6P  
 Operating temperature range -15°C (+5°F) / +90°C (+194°F)

**Mechanical**

Housing / Molded body TPU, self-extinguishing  
 Insert RSWU: PBT  
 SB: TPU, self-extinguishing  
 Contact CuZn, pre-nickel and 0.8 microns gold-plated  
 Receptacle shell CuZn, nickel-plated  
 O-ring FKM

**Electrical data**

Contact resistance ≤ 5 mΩ  
 Nominal current at 40°C RSWU-SB: 2 A per outlet / 2 A max. total  
 Nominal voltage 10–30 V DC  
 Rated voltage 32 V  
 Insulation resistance > 109 Ω  
 Pollution degree 3

**Cable Specifications**

| Cable No. | Outer Jacket      | Conductor Size                                       | Jacket Color | OD             |
|-----------|-------------------|--|--------------|----------------|
| 333       | PUR, halogen-free | 2 x 0.50 mm <sup>2</sup><br>8 x 0.34 mm <sup>2</sup> | Black        | .347" (8.8 mm) |

| Part Number                | Ports | Mating Cordsets         | Characteristics |
|----------------------------|-------|-------------------------|-----------------|
| RSWU 12-SB 8/LED 3-333/5 M | 8     | RSMV 3... or RSMWV 3... |                 |

**M12 Actuator/Sensor Distribution Boxes**

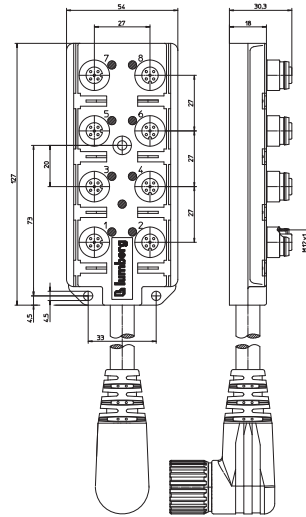
RSWU 12-ASB 8/LED



**8-Ports (LED)**

Actuator/sensor distribution box with LED operation and function indicators, 8-ports, top-entry, M12 sockets, 4-poles, 1 signal per socket, earth connection, integrated control cable with M23 male right angle connector, 12-poles.

**8-Ports**



**Pin Assignments**

| M12       | M23      |
|-----------|----------|
| 5-4 poles | 12 poles |
|           |          |



Be Certain with Belden

**M12 Actuator/Sensor Distribution Boxes**

RSWU 12-SB 8/LED

**Technical Data**

**Environmental**

Degree of protection IP 67 / NEMA 6P  
 Operating temperature range -15°C (+5°F) / +90°C (+194°F)

**Mechanical**

Housing / Molded body TPU, self-extinguishing  
 Insert RSWU: PBT  
 ASB: PA, GF, self-extinguishing  
 Contact CuZn, pre-nickel and 0.8 microns gold-plated  
 Receptacle shell CuZn, nickel-plated  
 O-ring FKM

**Electrical data**

Contact resistance ≤ 5 mΩ  
 Nominal current at 40°C RSWU-ASB: 4 A per outlet /  
 8 A max. total  
 Nominal voltage 10–30 V DC  
 Rated voltage 32 V  
 Insulation resistance > 10<sup>9</sup> Ω  
 Pollution degree 3

**Cable Specifications**

| Cable No. | Outer Jacket      | Conductor Size                                       | Jacket Color | OD             |
|-----------|-------------------|--|--------------|----------------|
| 331       | PUR, halogen-free | 3 x 0.75 mm <sup>2</sup><br>8 x 0.34 mm <sup>2</sup> | Black        | .315" (8.0 mm) |

| Part Number                   | Ports | Mating Cordsets         | Characteristics |
|-------------------------------|-------|-------------------------|-----------------|
| RSWU 12-ASB 8/LED 5-4-331/5 M | 8     | RSMV 3... or RSMWV 3... |                 |